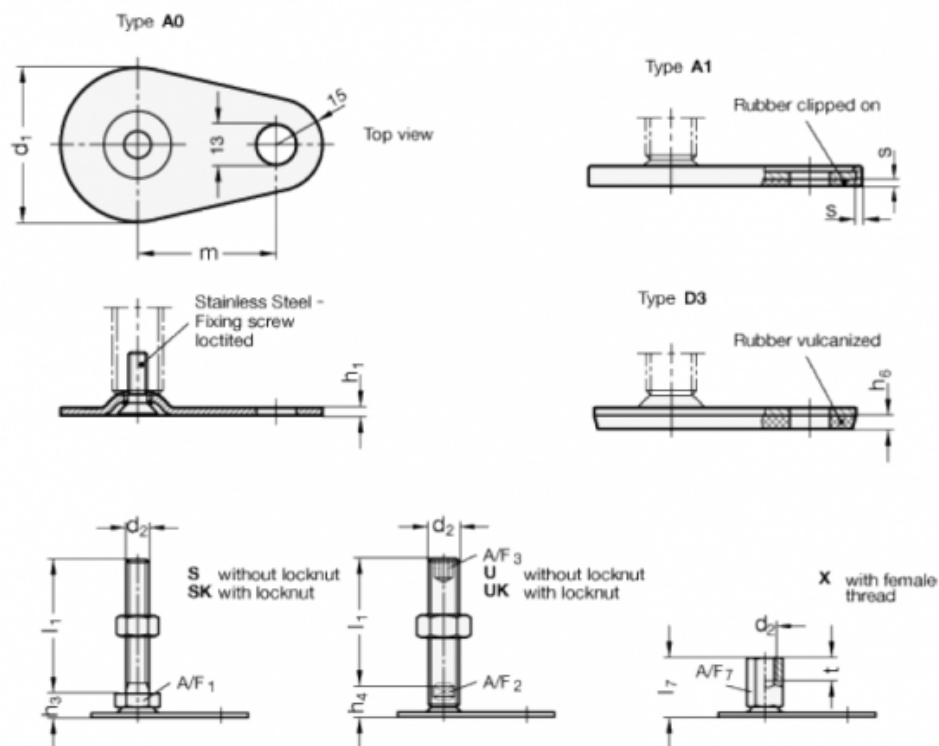


Data Sheet



Article number: 204250M10100A0SK
 Description: E+G levelling foot
 GN 42-50-M10-100-A0-SK
 Note: SK With nut, External hexagon at the bottom

Measures



A/F1 = 17
 d1 = 50
 d2 = M10
 h1 = 2.5
 h3 = 11
 h6 =
 l1 = 100
 m = 45

s =